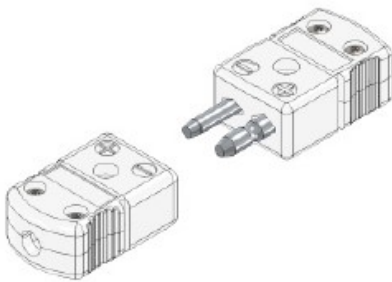


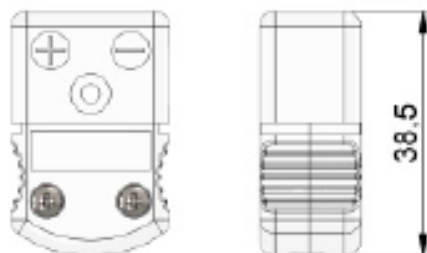
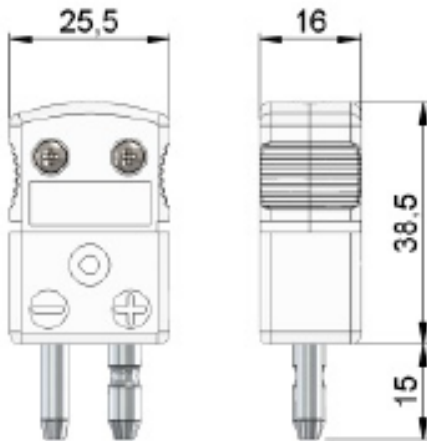
## Thermocouple Connectors Standard Connectors — Ceramic



	<b>IEC</b>	<b>ANSI</b>
Type K	 green	 yellow
Type J	 black	 black
Type T	 brown	 blue
Type B	 grey	 grey
Type R/S	 orange	 green
Type E	 purple	 purple
Type N	 pink	 orange

Colour Coding to DIN EN 60584

Body white with colour coding dot



### Specification

<b>Body:</b>	Ceramic
<b>Contacts:</b>	Class 1 material, reverse polarity protected <ul style="list-style-type: none"> <li>• Plug with coded flat contacts</li> <li>• Socket with spring loaded contacts</li> </ul>
<b>Terminal:</b>	Captive screw and plate
<b>Temperature:</b>	Up to 650°C
<b>Rating</b>	